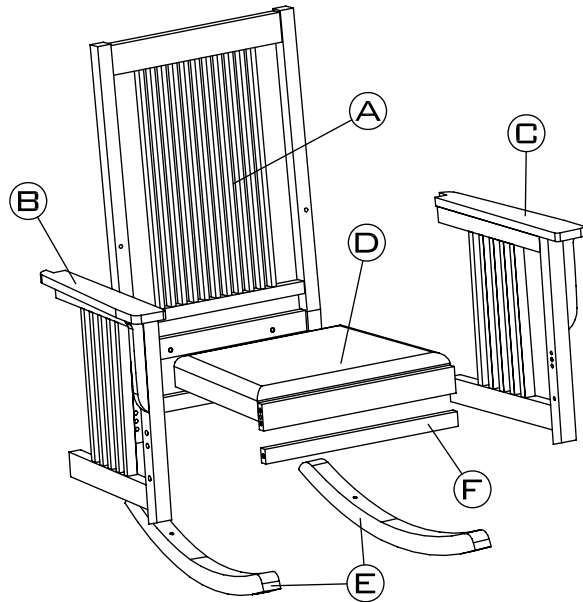
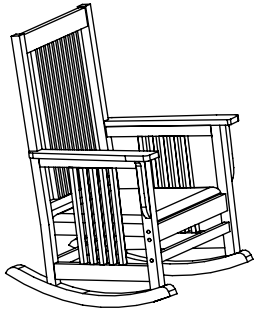




CAROLINA CHAIR & TABLE COMPANY

Thank you for purchasing a Carolina Chair & Table Company product. This product has been designed for easy assembly and is constructed for durability. Please take this time to read and follow the assembly instructions carefully. If a part or hardware is missing or you have any difficulties in assembling this product, please contact us Toll-Free at 1-800-228-3876.

ASSEMBLY INSTRUCTIONS # 4727 MISSION ROCKER CHAIR



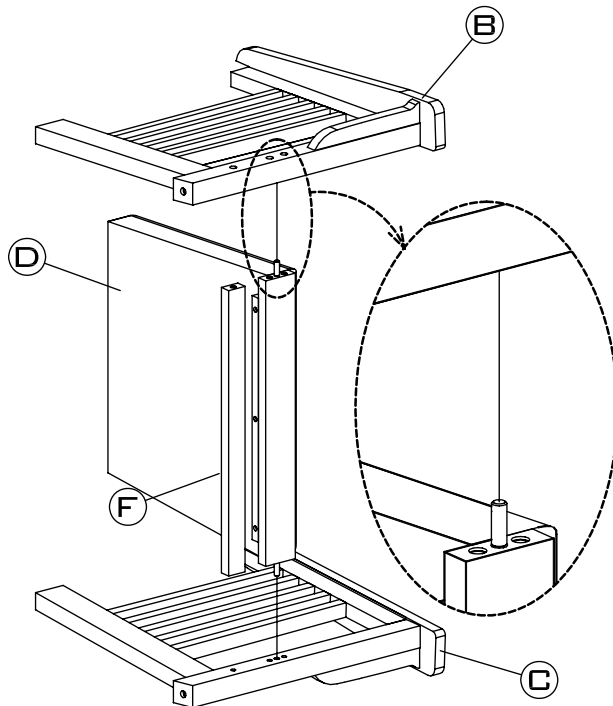
PARTS CHECK LIST

CODE	COMPONENTS	QTY
(A)	CHAIR BACK	X01
(B)	LEFT ARM	X01
(C)	RIGHT ARM	X01
(D)	CUSHION SEAT	X01
(E)	ROCKET RUNNER	X02
(F)	FRONT RAIL - BOTTOM	X01

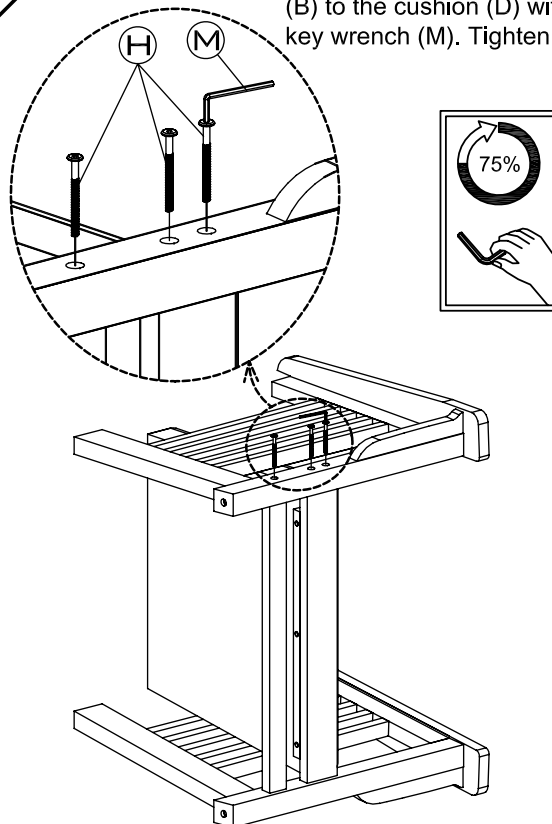
FITTINGS CHECK LIST

CODE	DESCRIPTION	QTY
(G)		X02
(H)		X14
(I)		X02
(J)		X02
(K)		X04
(L)		X10
(M)		X01

1. Remove all parts from carton and separate them into part number groups as indicated on the parts list. Loosely tighten all bolts until instructed to fully tighten in step 8. Attach left arm (B) and right arm (C) to cushion seat (D) and front bottom rail (F).

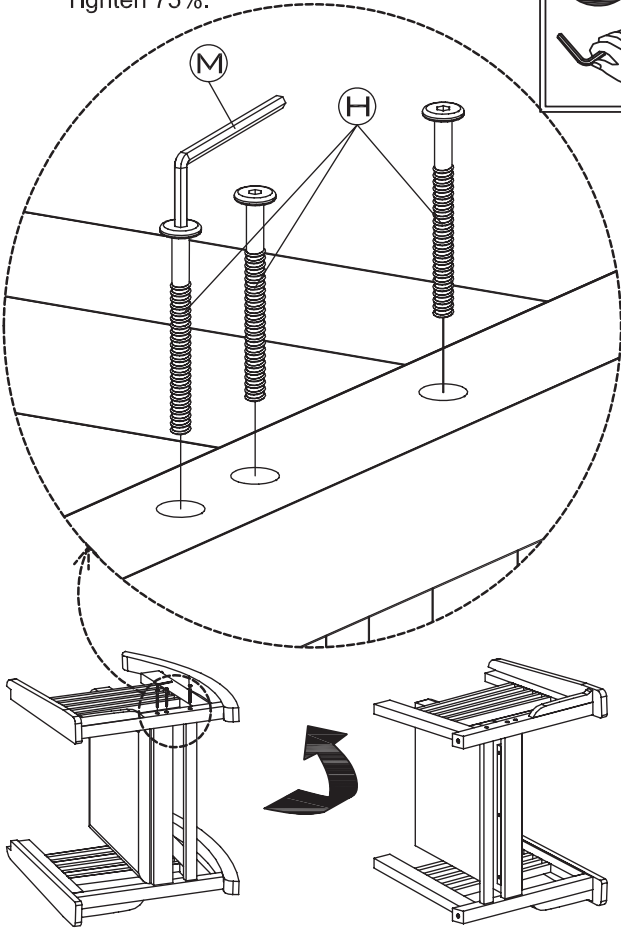
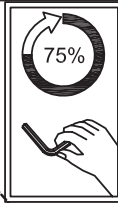


2. Using bolts (H) tighten the left arm (B) to the cushion (D) with allen key wrench (M). Tighten 75%.

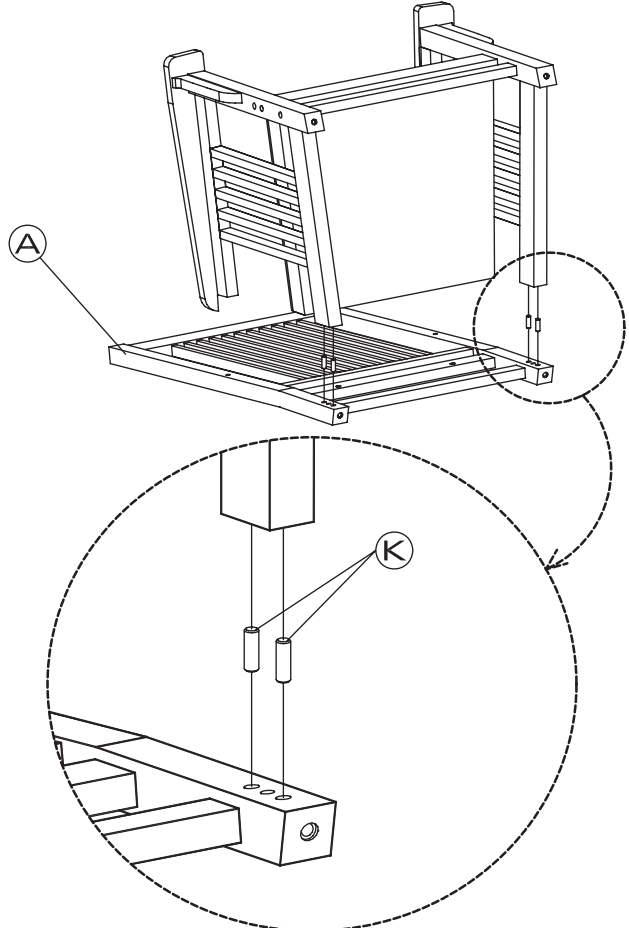


3.

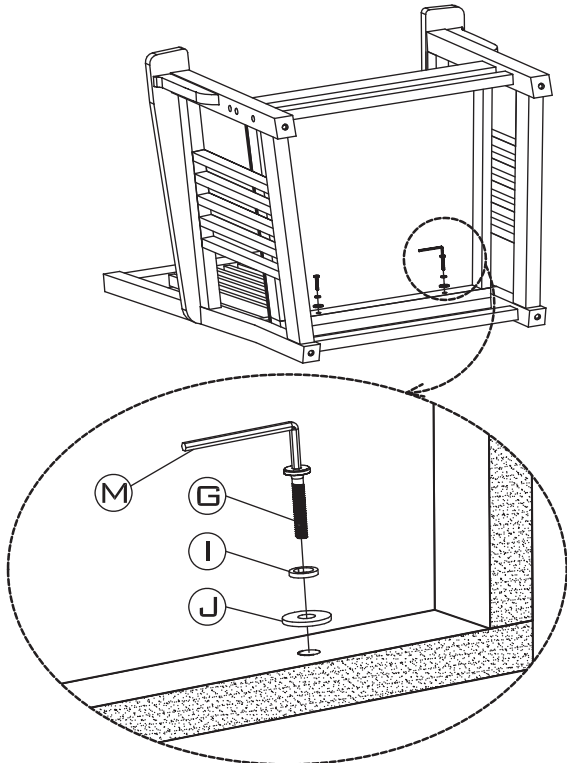
Using bolts (H) tighten the right arm (C) to the cushion (D) with allen key wrench (M). Tighten 75%.

**4.**

Assembly chair back (A) to frame (B+C+D+F) using dowels (K).

**5.**

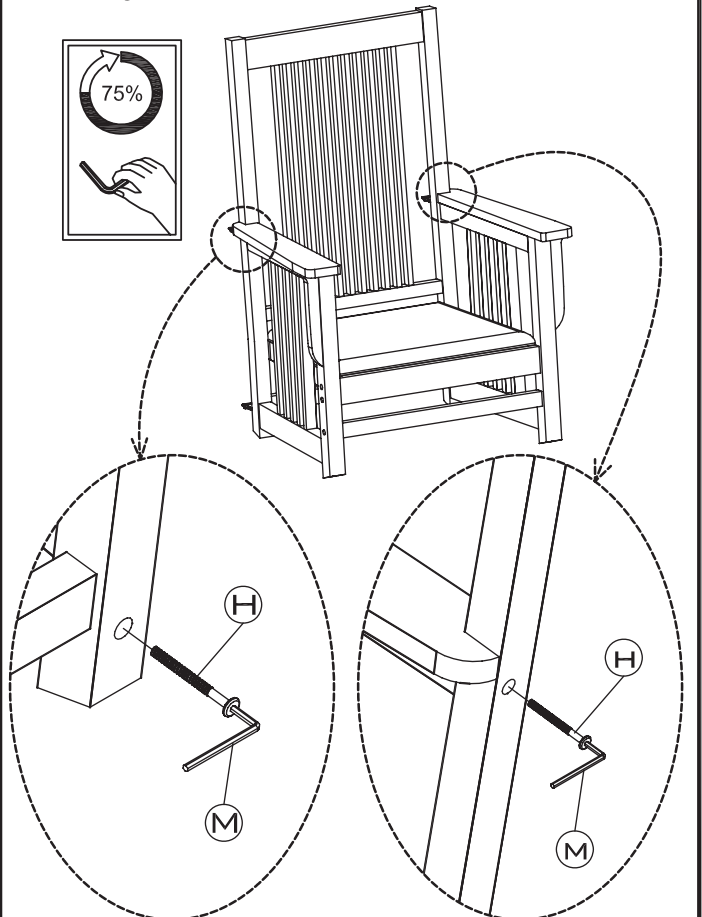
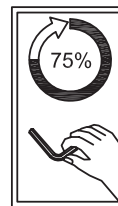
Using bolts (G), spring washers (I) and flat washers (J) with allen key wrench (M) tighten the cushion seat (D) to chair back (A). Tighten 75%.



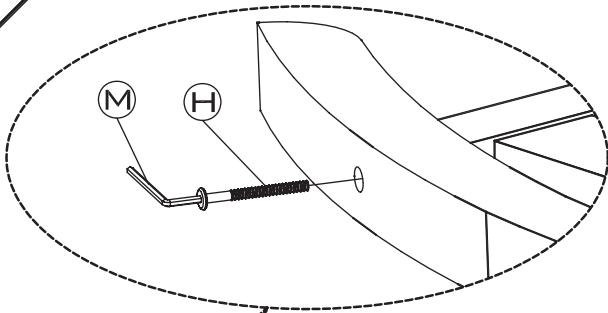
Please note: The fabric cover on the back of the seat is held in place with Velcro. You will need to pull the fabric cover down in order to expose the screw holes.

6.

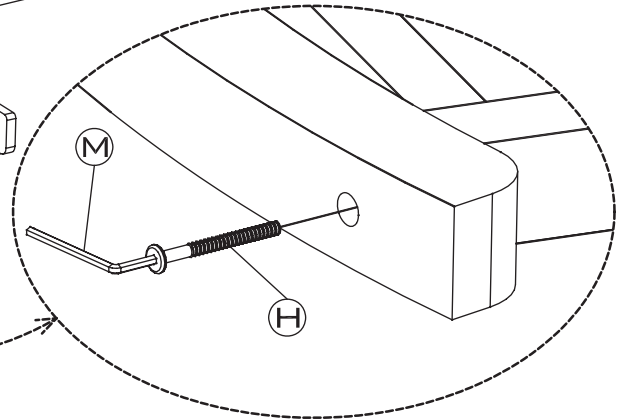
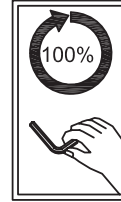
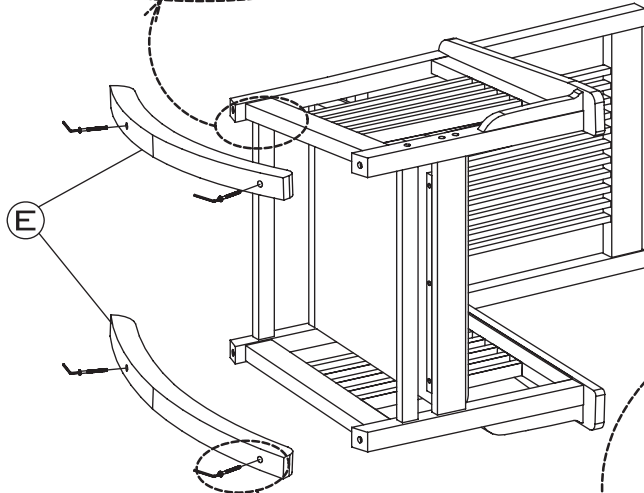
Using bolts (H) with allen key wrench (M) tighten left arm (B) and right arm (C) to the chair back frame (A). Tighten 75%.



7.

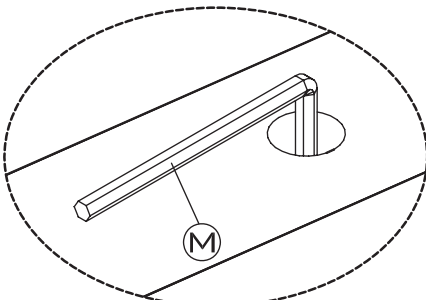
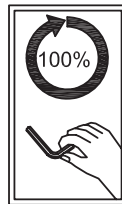
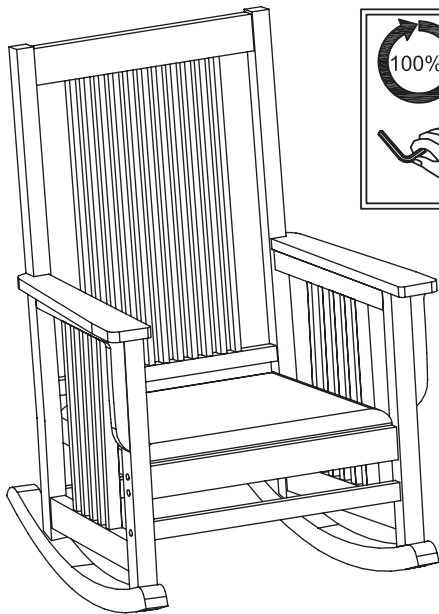


Assemble the rocker runners (E) to frame (A+B+C+D+F) using bolts (H) and allen key wrench (M). Tighten 100%.



8.

Using the same allen key wrench (M) tighten all bolts (G) & (H) all the way, i.e. 100%.



9.

Finally, cover the wooden plugs (L) in the holes as shown.

